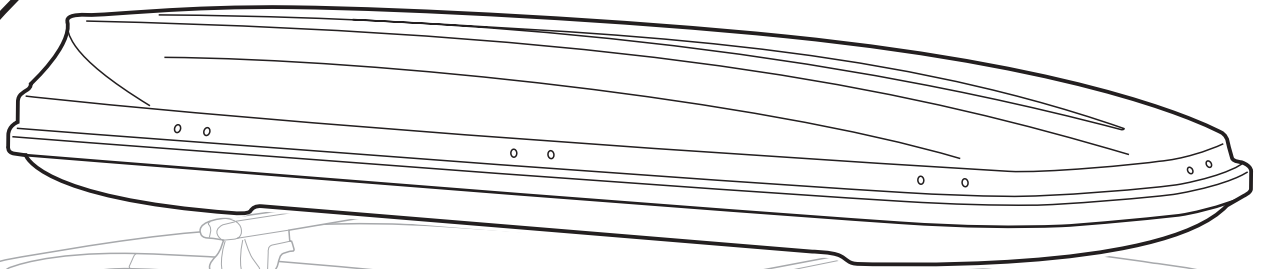


**GB** Fitting instructions  
**D** Montageanleitung  
**F** Instructions de montage  
**NL** Montage-instructies  
**I** Istruzioni per il montaggio  
**E** Instrucciones de montaje  
**PT** Instruções de Montagem  
**S** Monteringsanvisning  
**FIN** Asennusohje  
**EST** Paigaldusjuhend  
**LAT** Stiprināšanas instrukcija  
**LIT** Pritvirtinimo instrukcijos  
**PL** Instrukcja montażu  
**RU** Инструкции по установке  
**CZ** Návod na montáž

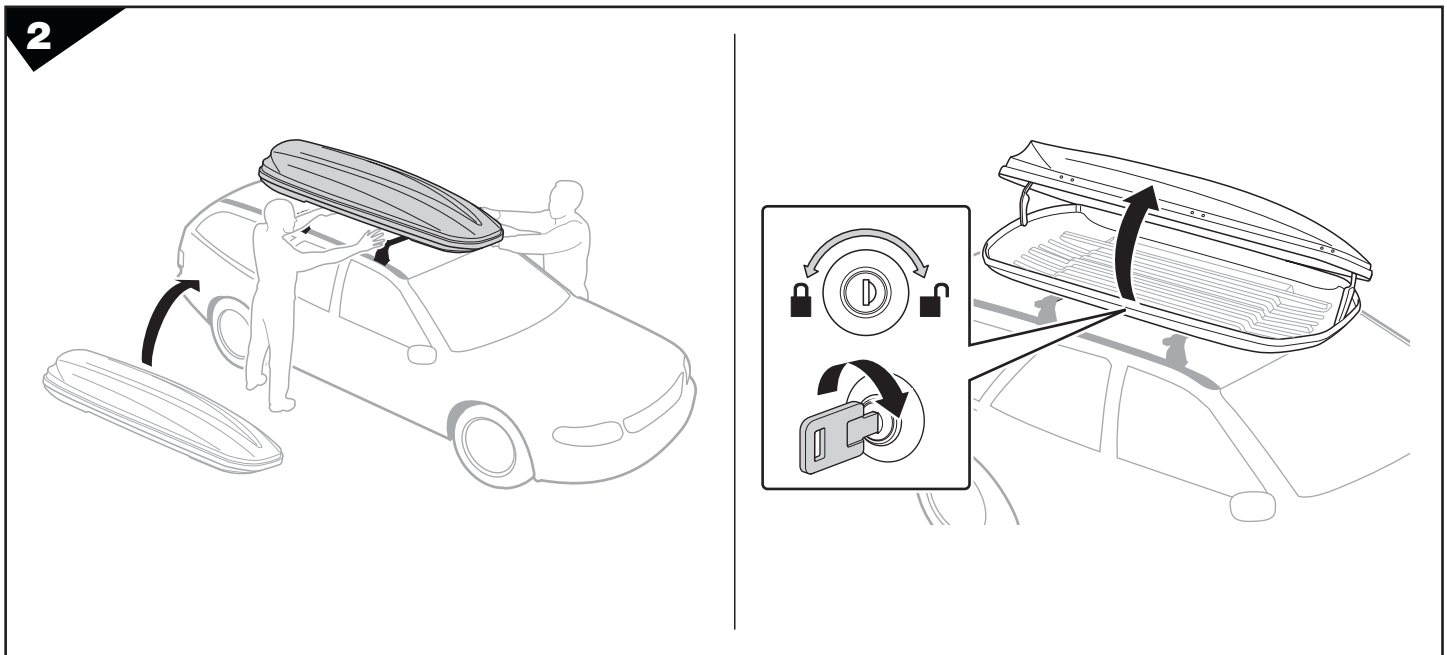
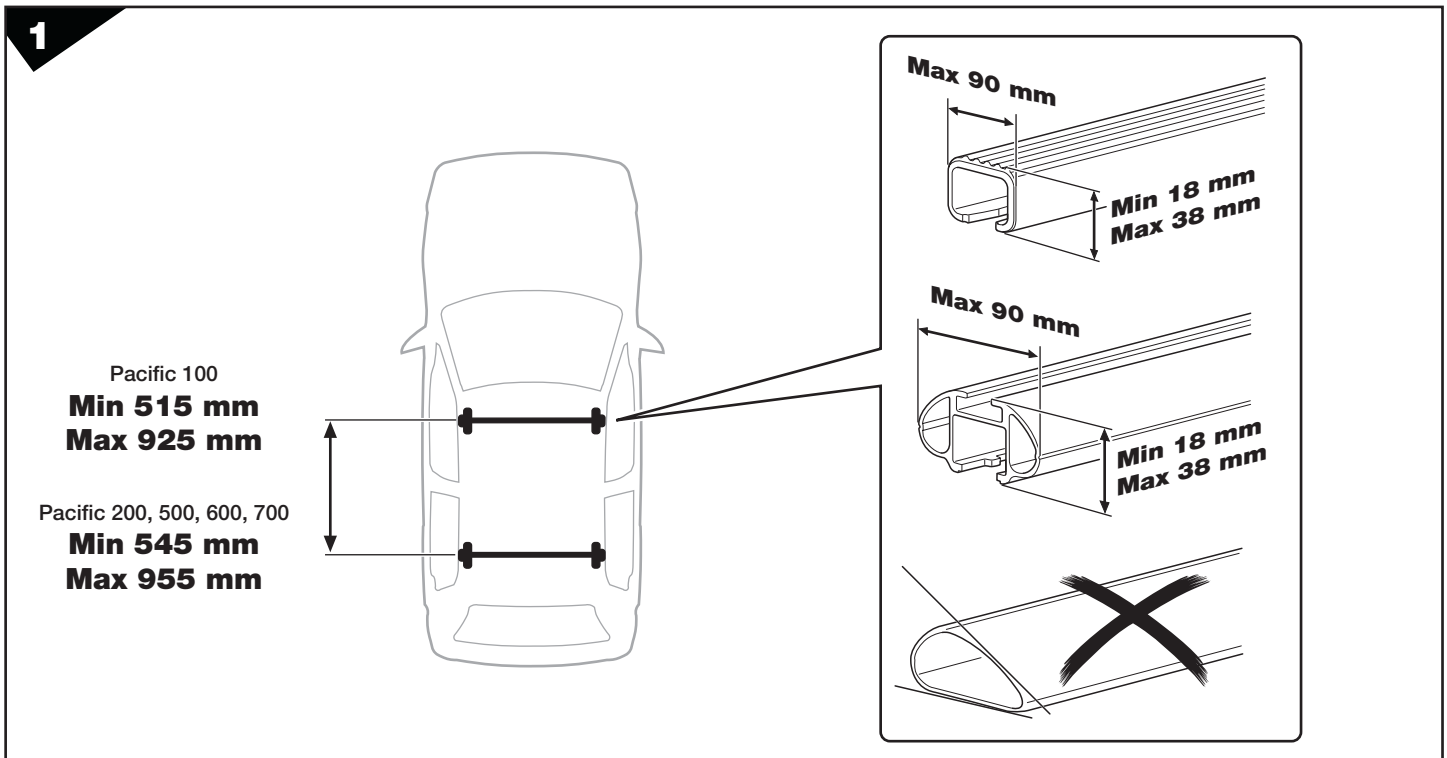
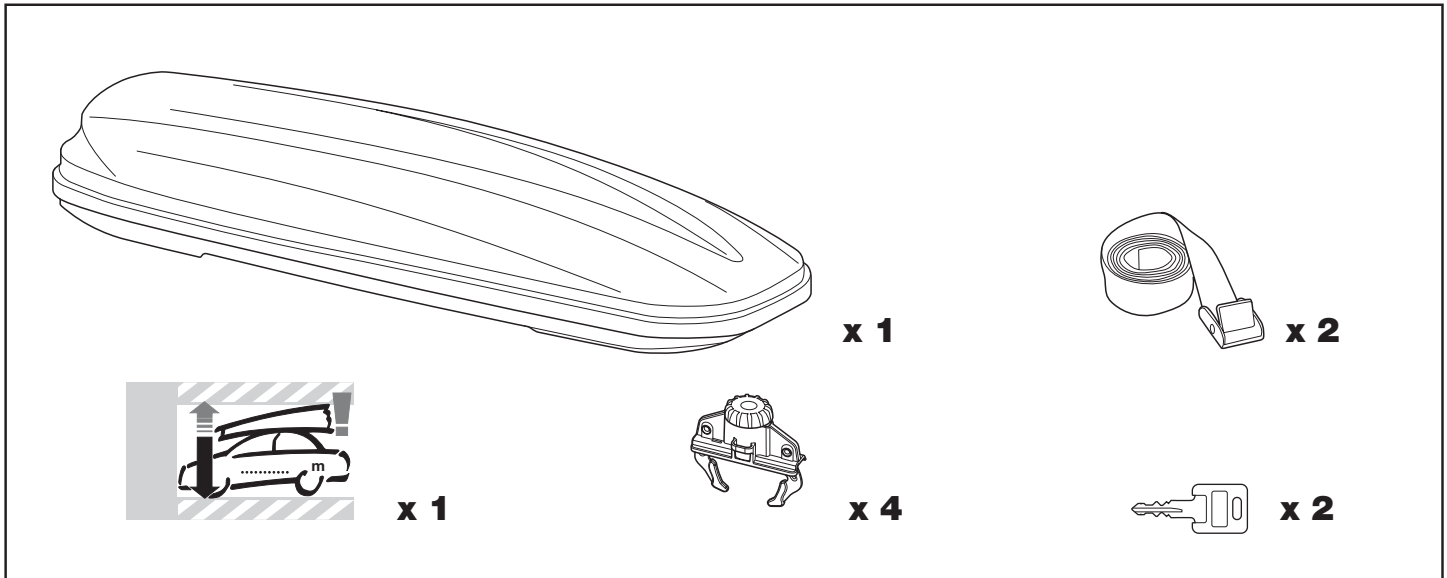
**SK** Návod na montáž  
**SLO** Navodila za pritrjevanje  
**HR** Uputa za sastavljanje  
**HU** A felszerelés módja  
**GR** Οδηγίες συναρμολόγησης  
**TR** Montaj talimatları  
**中文** 安装说明  
**日本語** 取扱(取付)説明書  
**한국어** 장착 지침  
**ไทย** คำแนะนำการติดตั้ง



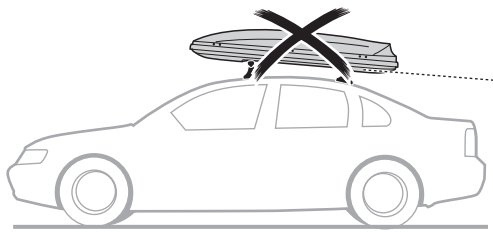
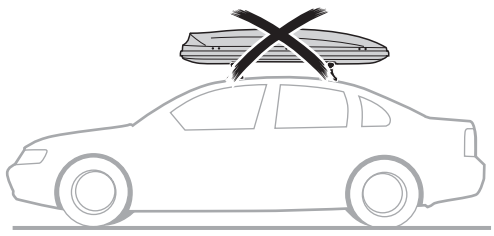
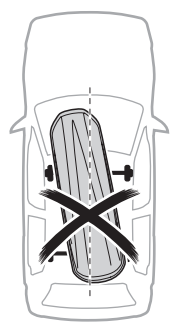
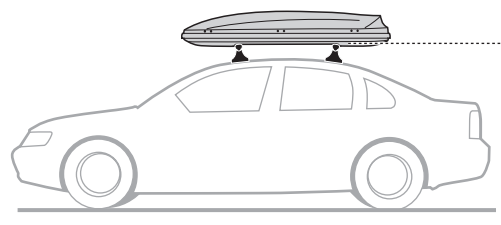
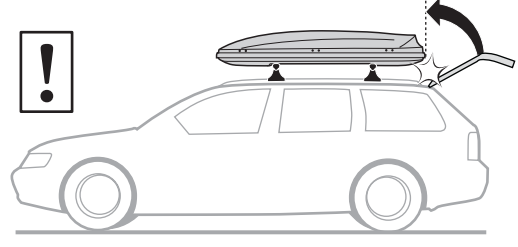
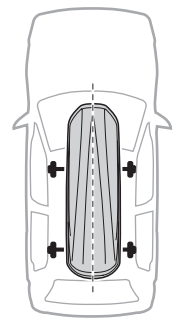
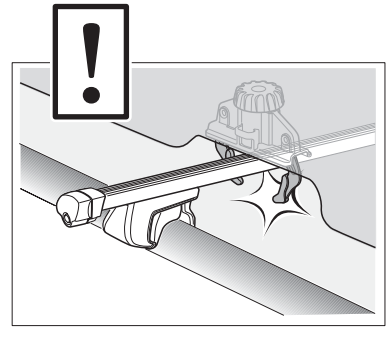
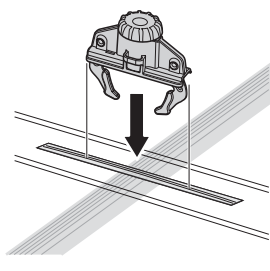
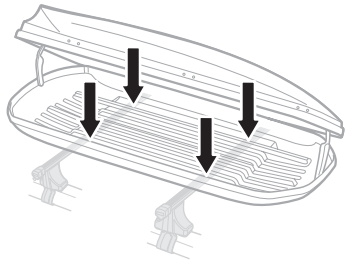
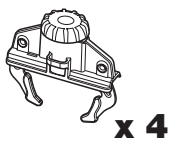
**Pacific**  
100, 200, 500, 600, 700

**Follow me...**

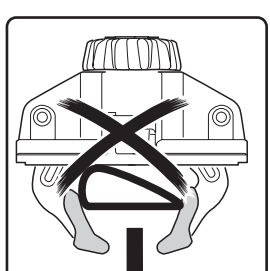
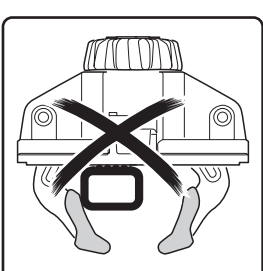
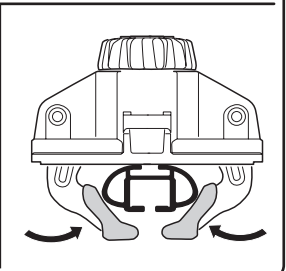
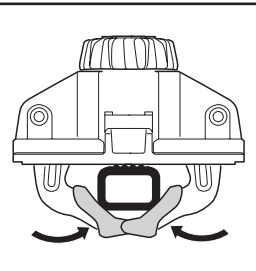
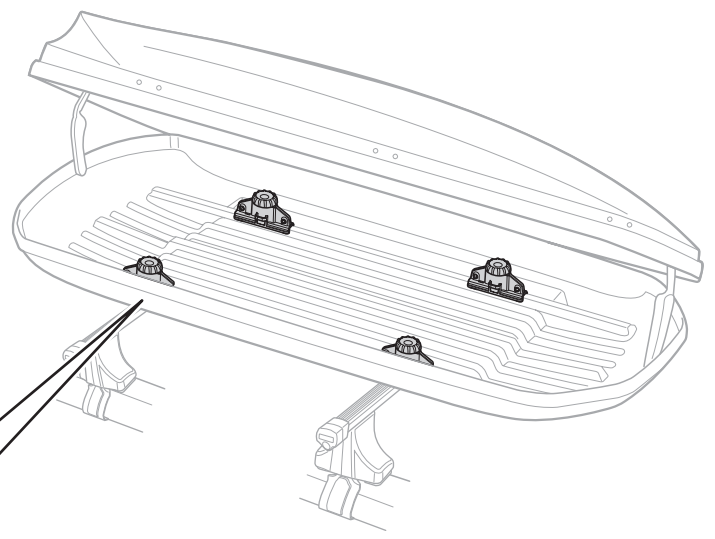
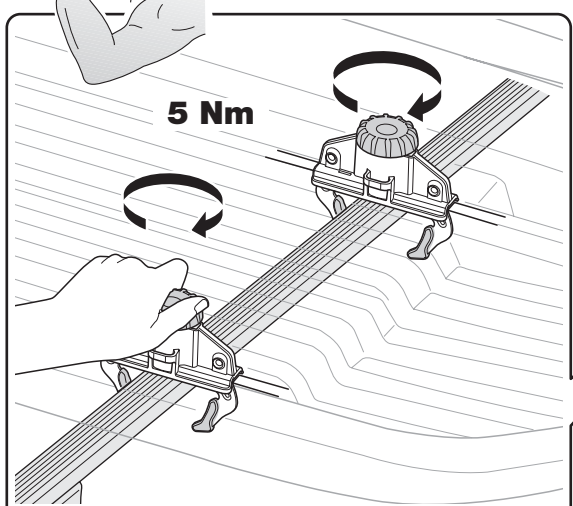
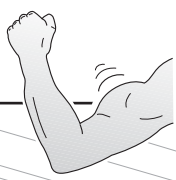




3



4

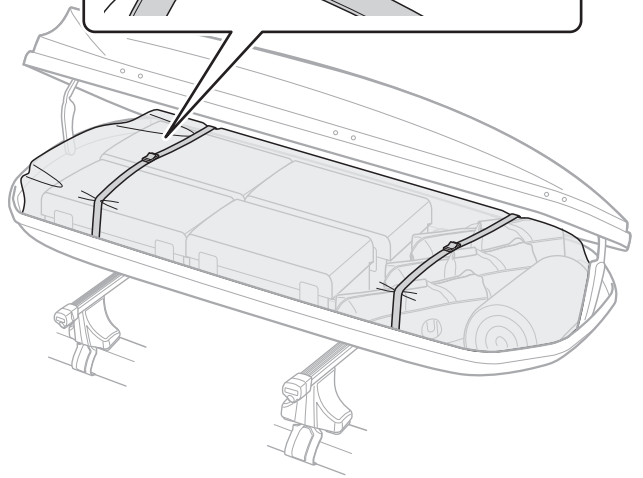
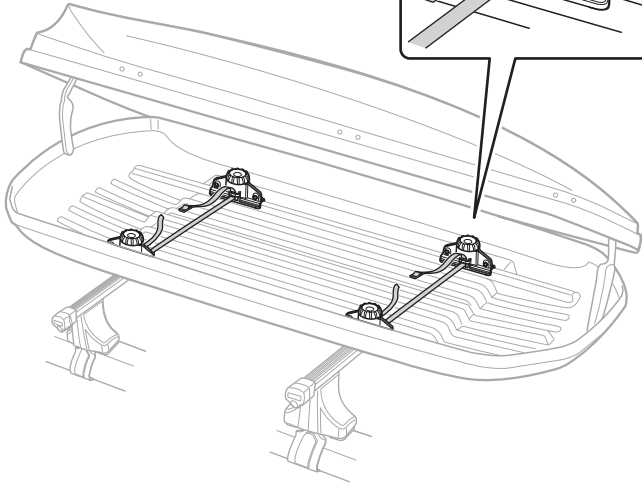
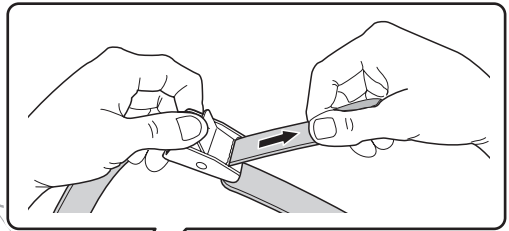
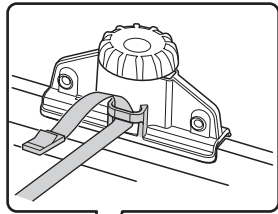
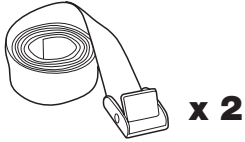


**Thule T-Nut Adapter**

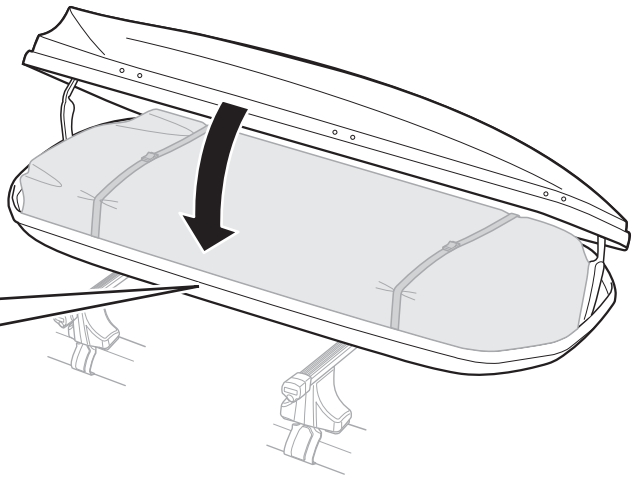
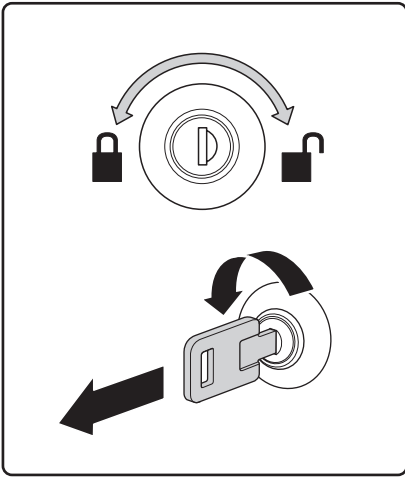
**696400**  
**697400**

1801818500

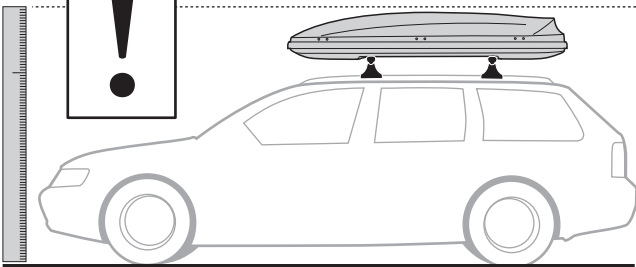
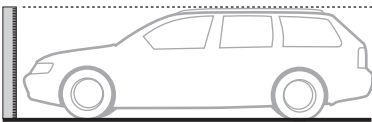
5



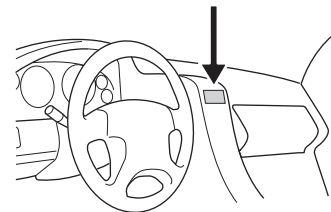
6



7



XX m



**GB** Accessories  
**D** Zubehör  
**F** Accessoires  
**NL** Accessoires  
**I** Accessori  
**E** Accesorios  
**PT** Acessórios

**S** Tillbehör  
**FIN** Lisävarusteet  
**EST** Lisavarustus  
**LAT** Piederumi  
**LIT** Priedai  
**PL** Akcesoria  
**RU** Аксессуары

**CZ** Doplnky  
**SK** Príslušenstvo  
**SLO** Dodatki  
**HR** Dodaci  
**HU** Tartozékok  
**GR** Παρελκόμενα  
**TR** Aksesuarlar

中文 附件  
 日本語 付属品  
 한국어 액세서리  
 ไทย อุปกรณ์เสริม

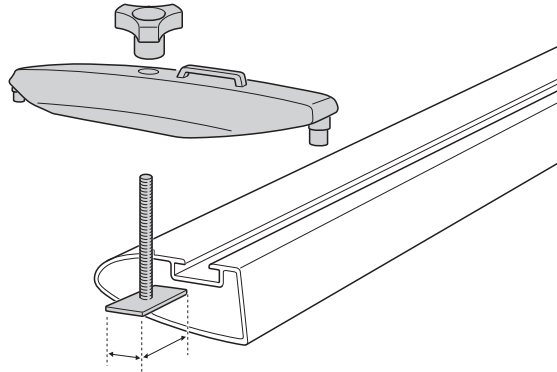
Thule T-Nut Adapter

**696400**

→ 24x30 mm

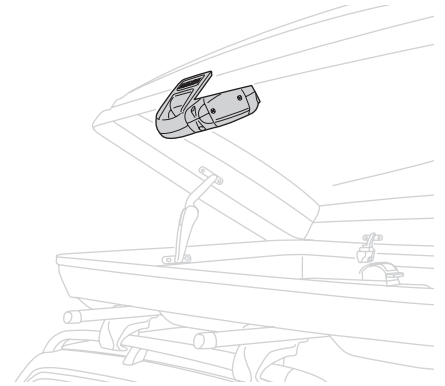
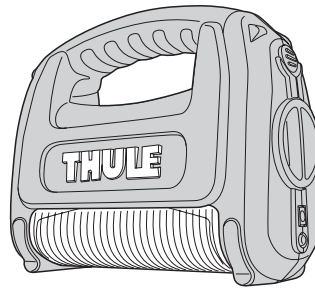
**697400**

→ 20x20 mm



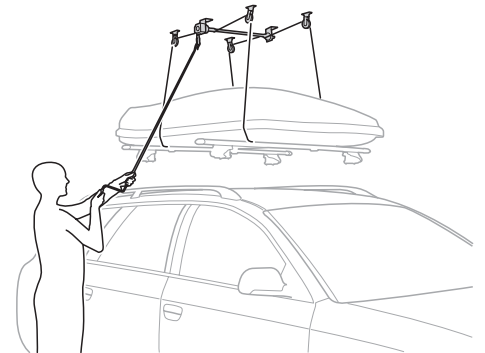
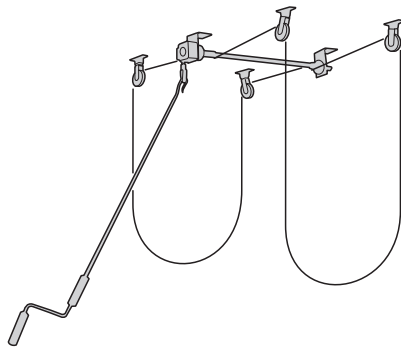
Thule Clamp Lamp

**850**  
850000



Thule Boxlift

**571**  
571000



Thule Skicarrier

**694500**

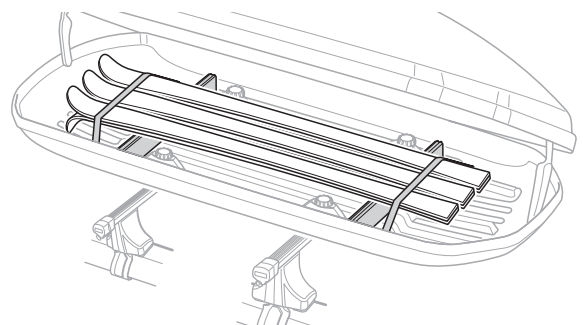
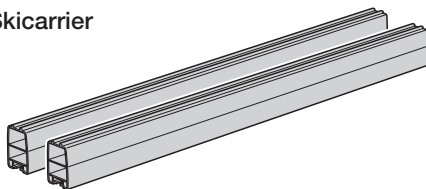
→ Thule Pacific 500

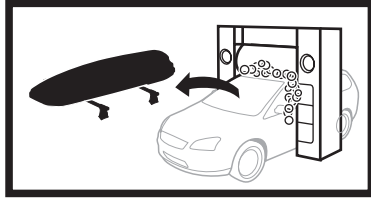
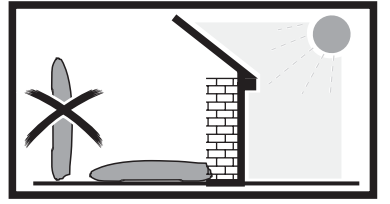
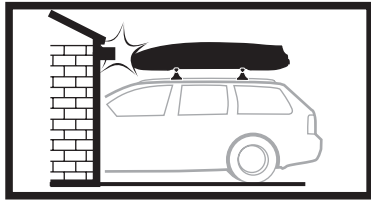
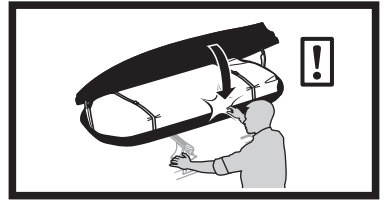
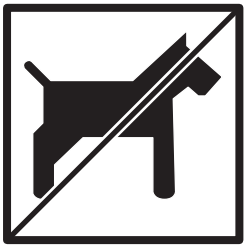
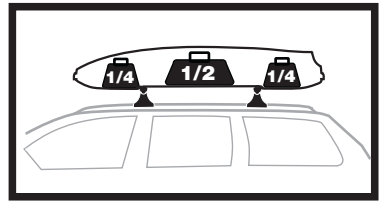
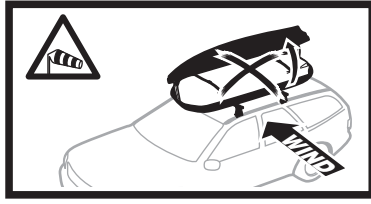
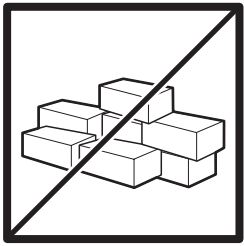
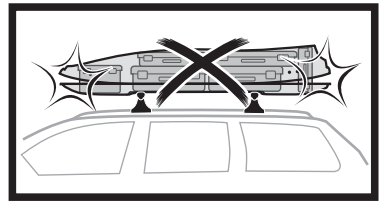
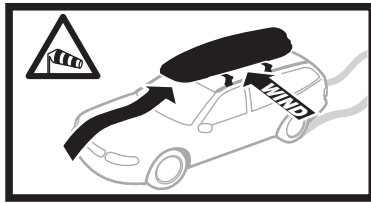
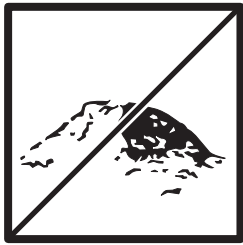
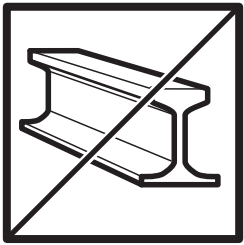
**694600**

→ Thule Pacific 600

**694700**

→ Thule Pacific 700

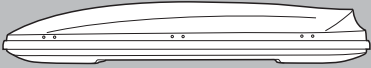




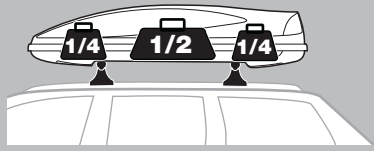
**THULE**  
**ONE KEY SYSTEM**

- 544 (x4)
- 596 (x6)
- 588 (x8)
- 452 (x12)

1. Insert the key into the lock cylinder at a 45-degree angle.
2. Turn the key clockwise to the right.
3. Turn the key counter-clockwise to the left.
4. Turn the key clockwise to the right.
5. Insert the key into the lock cylinder.
6. Turn the key counter-clockwise to the left.
7. Turn the key clockwise to the right.
8. Turn the key counter-clockwise to the left.



Pacific <b>100</b> :	12 kg
Pacific <b>200</b> :	14 kg
Pacific <b>500</b> :	12 kg
Pacific <b>600</b> :	13 kg
Pacific <b>700</b> :	15 kg



**Max.  
50 kg**

Kaufdatum/Date of purchase:

Kassenzettel hier abheften  
Place receipt here

Händler/Dealer:

Stempel/stamp

Ihre Schlüsselnummer  
Your Key-Number

